

PV arrester - VAL-MS 1000DC-PV/2+V - 2800628

<https://www.phoenixcontact.com/in/products/2800628>

Please be informed that the data shown in this PDF document is generated from our Online Catalog. Please find the complete data in the user documentation. Our General Terms of Use for Downloads are valid.



Surge protective device for 2-pos. isolated and grounded 1,000 V DC PV systems, for DIN rail mounting, 3-pos. base element, three pluggable temperature-monitored protective elements, status message on each plug.

Your advantages

- Increased safety, thanks to compliance with standard EN 50539-11
- Reliable contact, thanks to integrated rotating latch
- Easy replacement, thanks to plug-in arresters
- Optimum inverter protection, thanks to low protection level
- Efficient replacement of defective plugs, thanks to visual status indicator
- Protection against mismatching, thanks to keyed plugs and base elements

PV arrester - VAL-MS 1000DC-PV/2+V - 2800628



<https://www.phoenixcontact.com/in/products/2800628>

Commercial Data

Order Key	2800628
Packing unit	1 pc
Minimum order quantity	1 pc
Sales Key	CL1
Catalog Page	Page 73 (C-4-2019)
GTIN	4046356615082
Weight per Piece (including packing)	332.0 GRM
Weight per Piece (excluding packing)	322.7 GRM
Customs tariff number	85363030
Country of origin	IN

PV arrester - VAL-MS 1000DC-PV/2+V - 2800628

<https://www.phoenixcontact.com/in/products/2800628>

Technical Data

Notes

General

Note	The device is intended for touch proof installation in a housing. Ensure that there is a gap of at least 8 mm between the active and grounded parts in the connection area.
------	---

Product properties

IEC test classification	PV II
	PV T2
EN type	T2
Type	DIN rail module, two-section, divisible
Distance between live and grounded parts	8 mm
Installation location	Interior
Installation location of the disconnect device	Internal
Accessibility	Accessible
Connection configuration	Y configuration
SPD failure behavior	OCM (Open-circuit mode)
Surge protection fault message	optical

Insulation characteristics

Overvoltage category	III
Pollution degree	2

Mounting

Mounting type	DIN rail: 35 mm
---------------	-----------------

Material specifications

Color	jet black RAL 9005
Flammability rating according to UL 94	V-0
CTI value of material	600
Insulating material	PA 6.6-FR
	PBT-FR
Material group	I
Housing material	PA 6.6-FR
	PBT-FR

Connection data

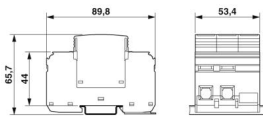
Connection method	Screw connection
Screw thread	M5
Tightening torque	3 Nm (1.5 mm ² ... 16 mm ²)
	4.5 Nm (25 mm ² ... 35 mm ²)
Stripping length	16 mm

PV arrester - VAL-MS 1000DC-PV/2+V - 2800628

<https://www.phoenixcontact.com/in/products/2800628>

Conductor cross section flexible	1.5 mm ² ... 25 mm ²
Conductor cross section solid	1.5 mm ² ... 35 mm ²
Conductor cross section AWG	15 ... 2
Connection method	Fork-type cable lug
Conductor cross section flexible	1.5 mm ² ... 16 mm ²

Dimensions

Dimensional drawing	
Width	53.4 mm
Height	89.8 mm
Depth	65.7 mm (incl. DIN rail 7.5 mm)
Horizontal pitch	3 Div.

Protective circuit

Mode of protection	(L+) - (L-)
	(L+) - PE
	(L-) - PE
Direction of action	(L+)-PE & (L-)-PE & (L+)-(L-)
Rated load current I_L	80 A
Residual current I_{PE}	$\leq 20 \mu\text{A DC}$
	$\leq 250 \mu\text{A AC}$
Standby power consumption P_C	$\leq 25 \text{ mVA}$
Nominal discharge current I_n (8/20) μs	15 kA
Maximum discharge current I_{max} (8/20) μs	40 kA
Total discharge current I_{total} (8/20) μs	40 kA
Voltage protection level U_p	$\leq 3.7 \text{ kV}$
Residual voltage U_{res}	$\leq 3.7 \text{ kV}$ (at I_n)
	$\leq 3.1 \text{ kV}$ (at 5 kA)
	$\leq 3.5 \text{ kV}$ (at 10 kA)
	$\leq 4 \text{ kV}$ (at 20 kA)
	$\leq 4.6 \text{ kV}$ (at 30 kA)
Response time t_A	$\leq 5 \text{ kV}$ (at 40 kA)
	$\leq 25 \text{ ns}$

PV protective circuit

Connection configuration	Y configuration
SPD failure behavior	OCM (Open-circuit mode)

Protective circuit DC voltage side (DC)

Open circuit voltage U_{OCSTC}	$\leq 970 \text{ V DC}$
Maximum discharge current I_{max} (8/20) μs	40 kA

PV arrester - VAL-MS 1000DC-PV/2+V - 2800628

<https://www.phoenixcontact.com/in/products/2800628>

Response time t_A	≤ 25 ns
Total discharge current I_{total} (8/20) μ s	40 kA
Insulation resistance R_{iso}	> 5 G Ω (at 500 V DC)
Nominal discharge current I_n (8/20) μ s	15 kA
Rated load current I_L	80 A
Continuous operating current I_{CPV}	< 20 μ A
Maximum continuous operating voltage U_{CPV}	1170 V DC
Short-circuit current rating I_{SCPV}	2000 A
Residual voltage U_{res}	≤ 3.7 kV (at I_n)
	≤ 3.1 kV (at 5 kA)
	≤ 3.5 kV (at 10 kA)
	≤ 4 kV (at 20 kA)
	≤ 4.6 kV (at 30 kA)
Residual current I_{PE}	≤ 20 μ A DC
	≤ 250 μ A AC
Voltage protection level U_p	≤ 3.7 kV
Standby power consumption P_C	≤ 25 mVA

Mechanical properties

Mechanical data

Open side panel	No
-----------------	----

Approval data

UL specifications

Maximum continuous operating voltage MCOV	1170 V DC
Short-circuit current rating (SCCR)	50 kA
Voltage protection rating VPR	3 kV
Nominal discharge current I_n	10 kA
Mode of protection	(L+) - (L-)
	(L+) - G
	(L-) - G
Nominal voltage	1170 V DC
Power distribution system	DC PV
SPD Type	1CA

UL connection data

Tightening torque	30 lb _f -in.
Conductor cross section AWG	10 ... 2

Standards and regulations

Standards/specifications	EN 50539-11
--------------------------	-------------

PV arrester - VAL-MS 1000DC-PV/2+V - 2800628

<https://www.phoenixcontact.com/in/products/2800628>

Environmental and real-life conditions

Ambient conditions

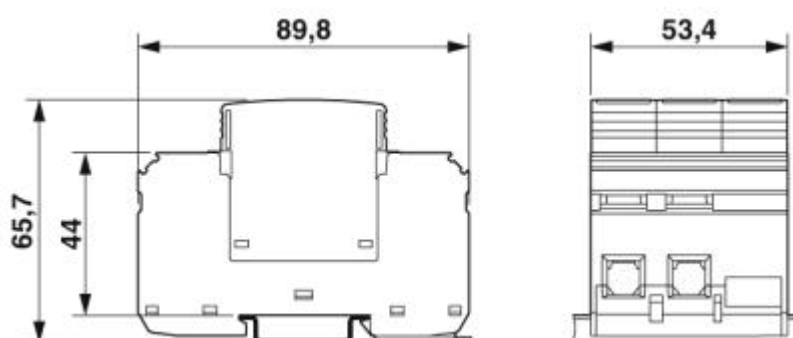
Degree of protection	IP20 (only when all terminal points are used)
Ambient temperature (operation)	-40 °C ... 80 °C
Ambient temperature (storage/transport)	-40 °C ... 80 °C
Altitude	≤ 2000 m (amsl (above mean sea level))
Permissible humidity (operation)	5 % ... 95 %
Shock (operation)	60g (Half-sine / 11 ms / 3x ±X, ±Y, ±Z)
Vibration (operation)	7.5g (5-500 Hz/2.5 h/XYZ)

PV arrester - VAL-MS 1000DC-PV/2+V - 2800628

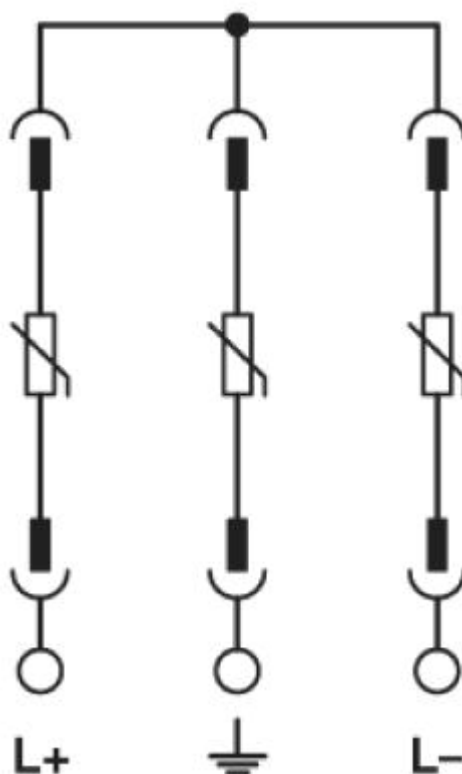
<https://www.phoenixcontact.com/in/products/2800628>

Drawings

Dimensional drawing



Circuit diagram





PV arrester - VAL-MS 1000DC-PV/2+V - 2800628





<https://www.phoenixcontact.com/in/products/2800628>

Approvals

UL Recognized 

KEMA-KEUR 

cUL Recognized 

EAC 

cULus Recognized

PV arrester - VAL-MS 1000DC-PV/2+V - 2800628



<https://www.phoenixcontact.com/in/products/2800628>

Environmental Product Compliance

China RoHS	Environmentally Friendly Use Period = 50 years
China RoHS	For details about hazardous substances go to tab "Downloads", Category "Manufacturer's declaration"

PV arrester - VAL-MS 1000DC-PV/2+V - 2800628

<https://www.phoenixcontact.com/in/products/2800628>

Accessories

Labeled device marker

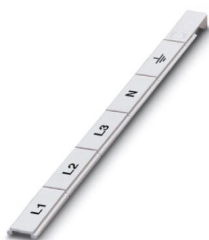
Labeled device marker - ZBN 18,LGS:ERDE - 2749589



Marker for terminal blocks, Strip, white, labeled, horizontal: Grounding symbol, mounting type: snap into tall marker groove, for terminal block width: 18 mm, lettering field size: 18 x 5 mm, Number of individual labels: 5

Labeled device marker

Labeled device marker - ZBN 18,LGS:L1-N,ERDE - 2749576



Marker for terminal blocks, Strip, white, labeled, horizontal: L1, L2, L3, N, GND, mounting type: snap into tall marker groove, for terminal block width: 18 mm, lettering field size: 18 x 5 mm, Number of individual labels: 5

PV arrester - VAL-MS 1000DC-PV/2+V - 2800628

<https://www.phoenixcontact.com/in/products/2800628>

Marker pen

Marker pen - B-STIFT - 1051993



Marker pen, for manual labeling of unprinted Zack strips, smear-proof and waterproof, line thickness 0.5 mm

Device marking

Device marking - ZBN 18:UNBEDRUCKT - 2809128



Zack marker strip, Strip, white, unlabeled, can be labeled with: CMS-P1-PLOTTER, PLOTMARK, mounting type: snap into tall marker groove, for terminal block width: 18 mm, lettering field size: 18 x 5 mm, Number of individual labels: 5

PV arrester - VAL-MS 1000DC-PV/2+V - 2800628

<https://www.phoenixcontact.com/in/products/2800628>

Replacement plug

Replacement plug - VAL-MS 1000DC-PV-ST - 2800624



Replacement plug for PV arrester combinations from the VAL-MS 1000DC-PV-... product range

Phoenix Contact 2021 © - all rights reserved
<https://www.phoenixcontact.com>

PHOENIX CONTACT (I) Pvt. Ltd.
A-58/2, Okhla Industrial Area, Phase - II, New Delhi-110 020

+91.1275.71420
info@phoenixcontact.co.in